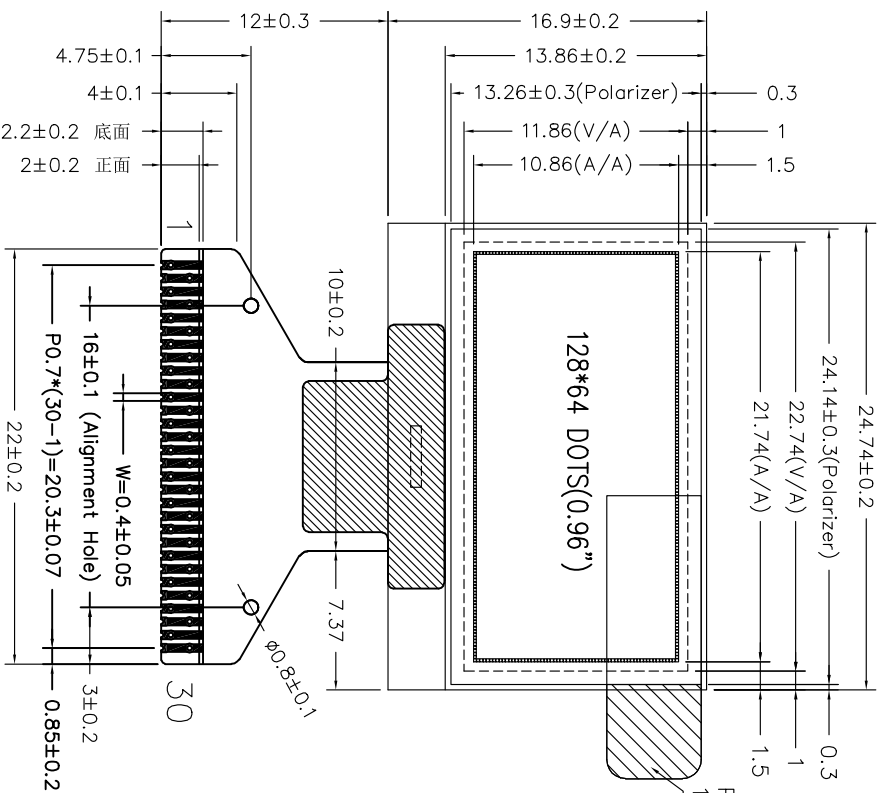
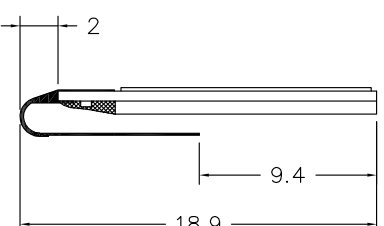
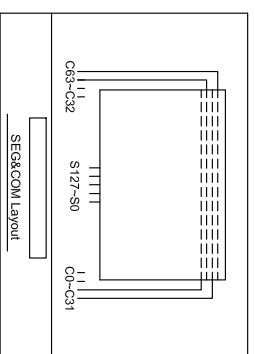
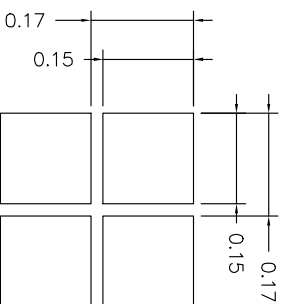
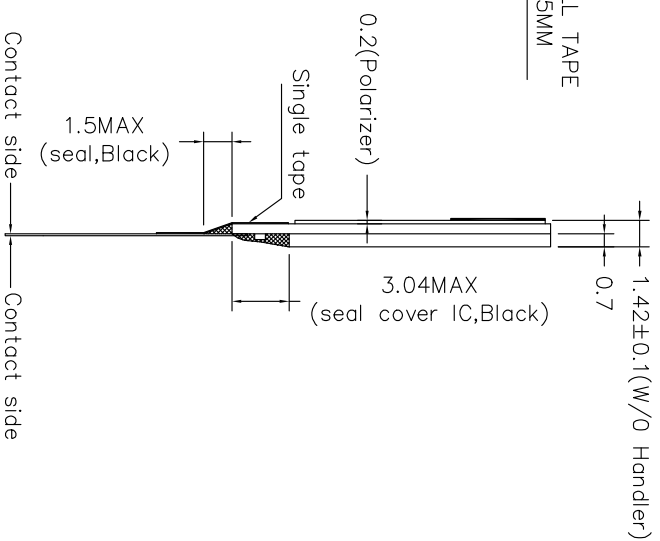


Customer approval :



Specifications:

1. Display : OLED(White).
2. Dot Matrix: 128\*64
3. Dot Size: 0.15\*0.15mm
4. Dot Pitch: 0.17\*0.17mm
5. Aperture Rate: 78%
6. Active Area : 21.74\*10.86mm
7. Drive IC: SSD1315Z



Reference Only

PIN	SYMBOL
1	NC(GND)
2	C2P
3	C2N
4	C1P
5	C1N
6	VBAT
7	NC
8	VSS
9	VDD
10	BS0
11	BS1
12	NC
13	CS#
14	RES#
15	D/C#
16	NC
17	NC
18	D0
19	D1
20	D2
21	NC
22	NC
23	NC
24	NC
25	NC
26	IREF
27	VCOMH
28	VCC
29	VSSS
30	NC(GND)

REV	REVISION RECORD	DATE	MODEL NO.	SYO12864A02-3C58WM2-WCE	GENERAL TOL:
A	FIRST ISSUE	2017/08/08	模组型号		±0.3
B			APPROVED BY	审核	
C			CHECKED BY	检查	
D			APPROVED BY	Liu	
			CHECKED BY	Francis	
			DRAWING BY	Luoxian	

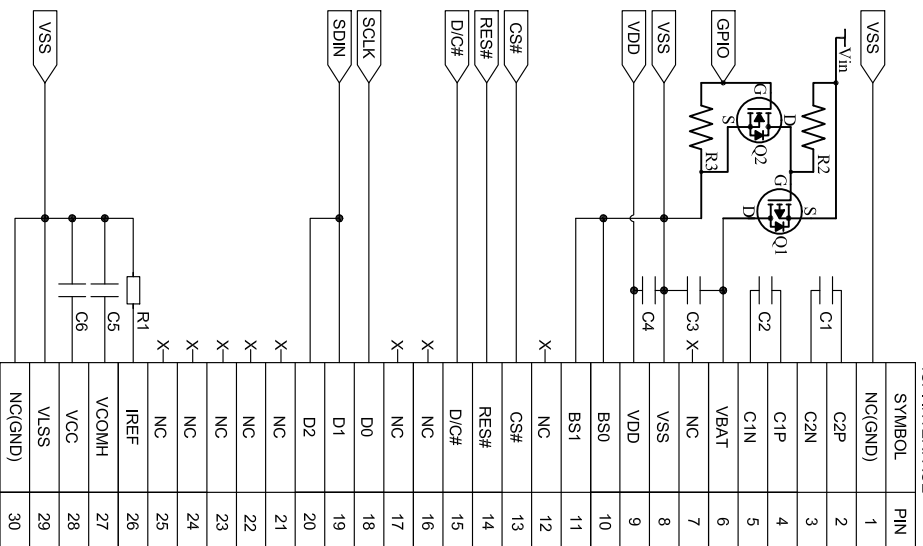


深圳市三元晶科技有限公司  
Shenzhen TCCLCD Hi-Tech Co., Ltd.

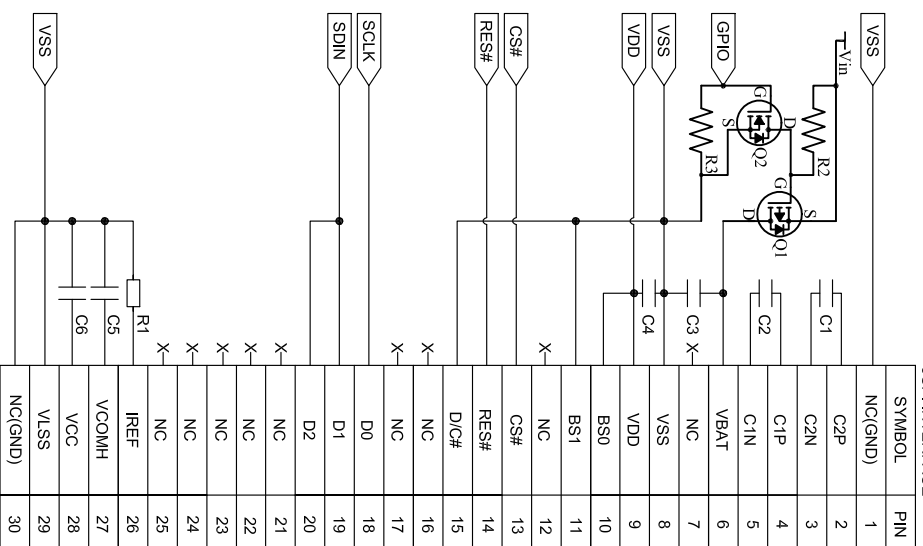


Customer approval :

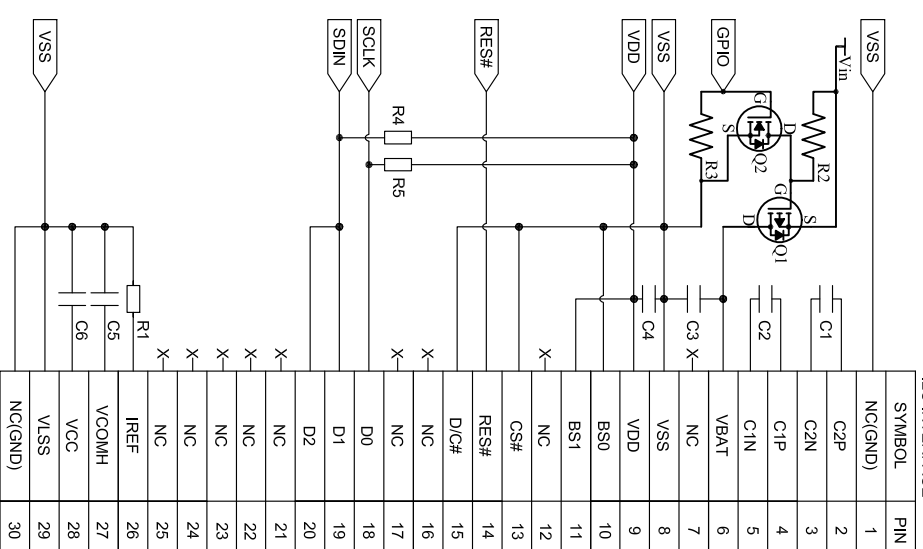
4SPI INTERFACE



3SPI INTERFACE



I2C INTERFACE



REV	REVISION RECORD	DATE	MODEL NO.	CHECKED BY	DRAWING BY	GENERAL TOL:
A	FIRST ISSUE	2017/08/08	SV012864A02-3C58WV2-WCE	检查	绘图	±0.3
B				审核	Luoxian	
C						
D						



深圳市三元晶科技有限公司  
ShenZhen TCCLCD Hi-Tech Co., Ltd.

APPROVED BY	PAGE:	UNIT:
审核	2 OF 2	单位:mm
Liu	页面	
Francis	三角法	
2017/08/08		