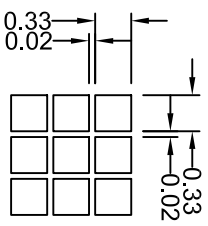
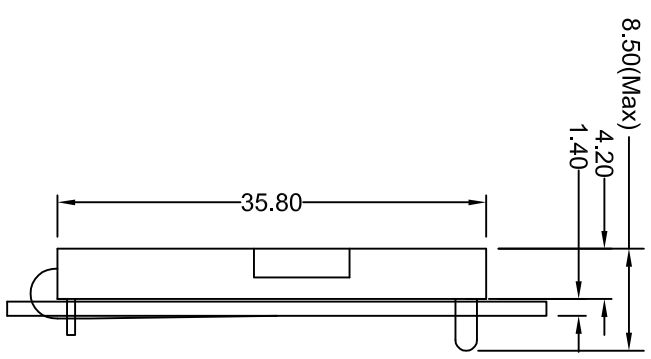
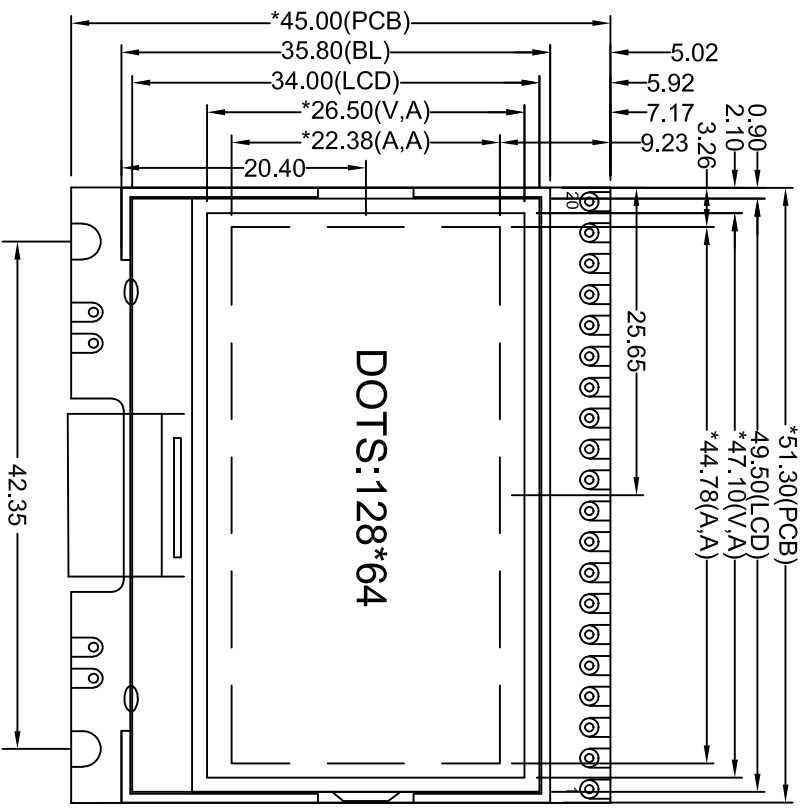


Customer approval :



1	ROM_IN	ROM_IN
2	ROM_OUT	ROM_OUT
3	ROM_SCK	ROM_SCK
4	ROM_CS	ROM_CS
5	BLK	BLK
6	VSS	VSS
7	VDD	VDD
8	A0	A0
9	/RST	/RST
10	/CS	/CS
11	SDA	D7
12	SCL	D6
13	NC	D5
14	NC	D4
15	NC	D3
16	NC	D2
17	NC	D1
18	NC	D0
19	NC	/RD
20	NC	/WR

- Specification:
- 1). Driving: Duty: 1/64, Bias: 1/9, V_{icm}=5.0V, V_{icd}: 9.0V
 - 2). Viewing direction: 6 O'CLOCK
 - 3). Display mode: FSTN/Positive/Transflective
 - 4). Operating temp.: -20°C~+70°C
 - 5). Storage temp.: -30°C~+80°C
 - 6). Control IC: ST7565R
 - 7). Backlight: White Array LED: 5.0V
 - 8). dimensions with mark "*" are important with mark "(" are referenced
 - 9). All the raw materials are RoHS compliant

REV	REVISION RECORD	DATE	深圳市三元晶科技有限公司 Shenzhen TCCLCD HI-Tech Co., Ltd.			
A	FIRST ISSUE	2014-07-30	MODEL NO. 模组型号	SYG12864SV10-5C33K1LN2-B5N2	GENERAL TOL: 未注公差	± 0.3
B			APPROVED BY 审核	Liu	CHECKED BY 检查	Francis
C			DRAWING BY 绘图	Luoxian	PAGE: 1 OF 1	UNIT: mm
D					PROJECTION 三角法	