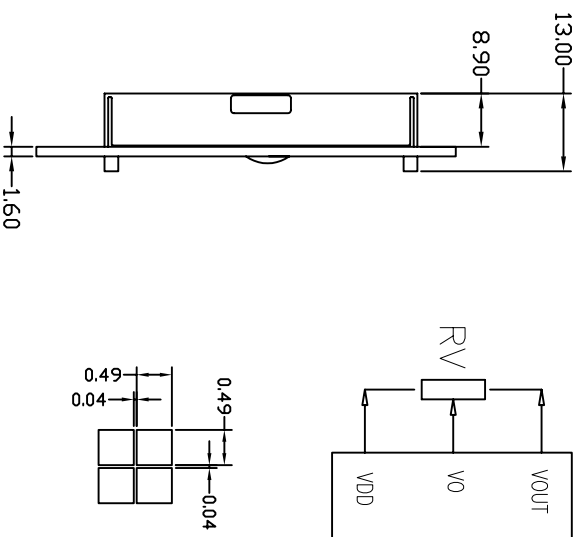
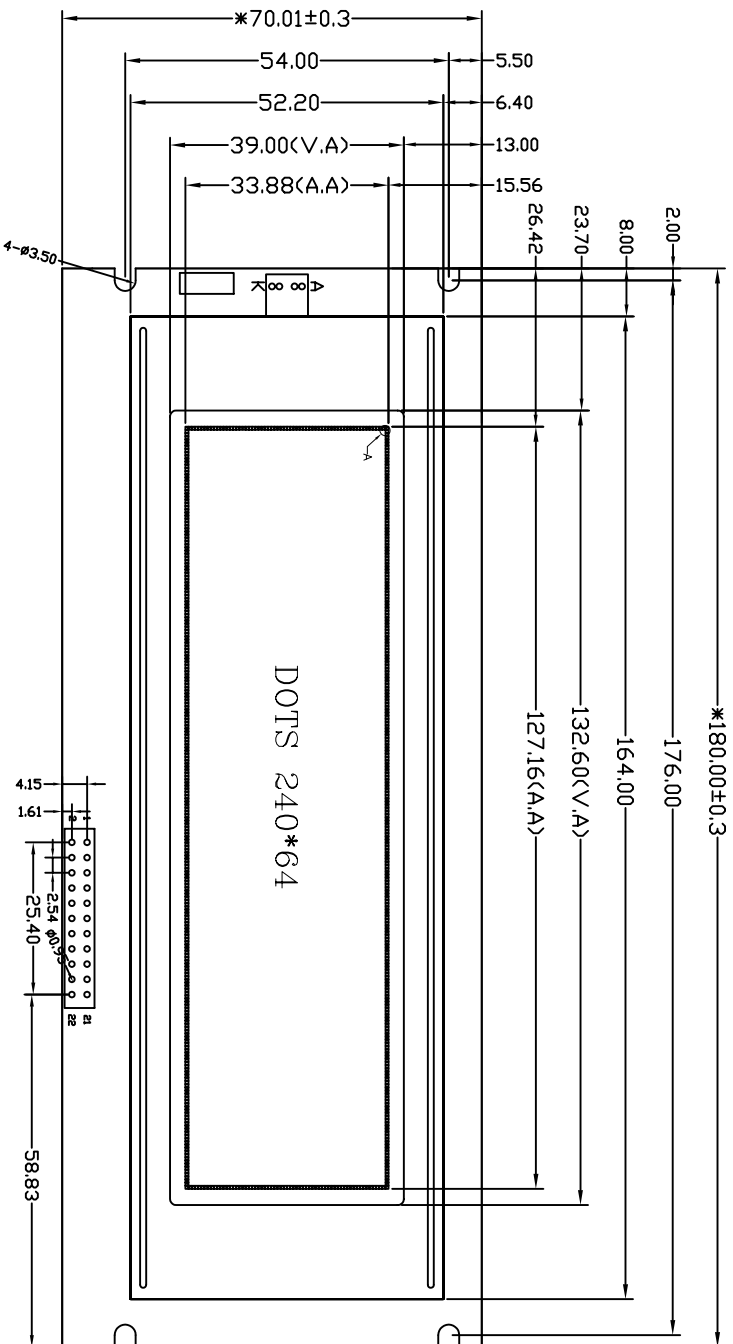


Customer approval :



Specification:

- 1). Driving: Dots:240\*64, Duty:1/64, Bias:1/9,VDD:5.0V,VOUT:-14.08V,VO:-7.8V
- 2). Viewing Direction: 6 O'clock
- 3). Display mode:STN/NEGATIVE(BLUE)/TRANSMISSIVE
- 4). Operating temp.: -20°C~+70°C  
Storage temp.: -30°C~+80°C
- 5). Controller IC:T6963
- 6). Backlight: Bottom ,White
- 7). Dimensions with mark "\*" are important, with mark "()" are referenced
- 8). All the raw materials are RoHS compliant

PIN	1	2	3	4	5	6	7	8	9	10	11
CONNECTION	FG	GND	VDD	VO	WR	RD	CS	RS	NC	RST	DB0
PIN	12	13	14	15	16	17	18	19	20	21	22
CONNECTION	DB1	DB2	DB3	DB4	DB5	DB6	DB7	FS	VOUT	BLA	BLK

REVISION RECORD

First issue

REV A0



深圳市三元晶科技有限公司  
Shenzhen TCC LCD Hi-Tech Co., Ltd.

DRAWING NO. SYB24064BY20

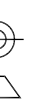
GENERAL TOL: ±0.3

APPROVED BY CHECKED BY DRAWING BY

UNIT: mm

PAGE

LAN



1/1